

COMAR
7

SWING DOORS

COMAR 7



Create aluminium swing doors of great strength, design appeal and durability with this comprehensive system which gives scope to create many different designs.



The Parkside Group Ltd
Unit 5 - The Willow Centre,
17 Willow Lane, Mitcham,
Surrey CR4 4NX

Telephone: 020 8685 9685
Fax No: 020 8646 5096
Email: Sales@Parksidegrp.co.uk

COMAR 7 SWING DOORS



- With this extensive system a broad range of elegant, strong and durable aluminium swing doors can be created. Design appeal is assured with a choice of rail and stile sizes offering creative scope, and square-cut rails which produce almost invisible joints.

- Variety of design options.
- Accepts all automatic operation systems.
- Optional Door Beams to house operating gear neatly.
- Glazing from 4mm to 40mm glass/panel thickness.
- Bolted or welded construction for strength and durability.
- Multiple brush seals ensure excellent weathertightness.

■ MATERIALS

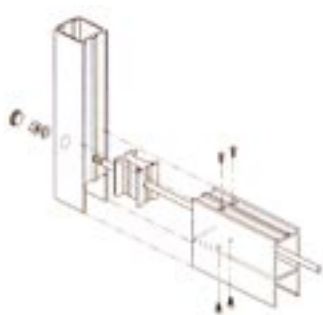
Extruded profiles to BS EN 515, EN 755 and EN 573. Glazing gaskets are extruded from EPDM.

FINISHES

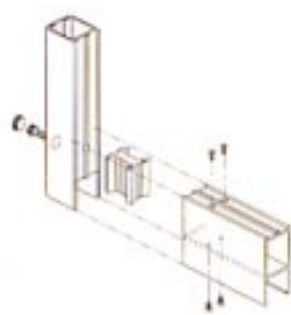
- Silver, bronze and black anodising to BS1615 or BS3987. Liquid organic coating to BS4842. Polyester powder coating to BS6496.

CONSTRUCTION

- COMAR 7 Doors feature a choice of bolted or, for supreme strength, welded construction which is guaranteed for two years against joint failure. Square cut rails fit snugly into the stiles for virtually



TIE ROD AND SCREW ASSEMBLY



EXTERNALLY BOLTED AND SCREWED



INTERNALLY BOLTED AND SCREWED OR FOUR POINT WELDED



TEL: 020 8685 9685

invisible joints. Multiple brush seals ensure excellent weathertightness around the door perimeters.

For severe conditions COMAR offers a choice of drained thresholds.

GLAZING

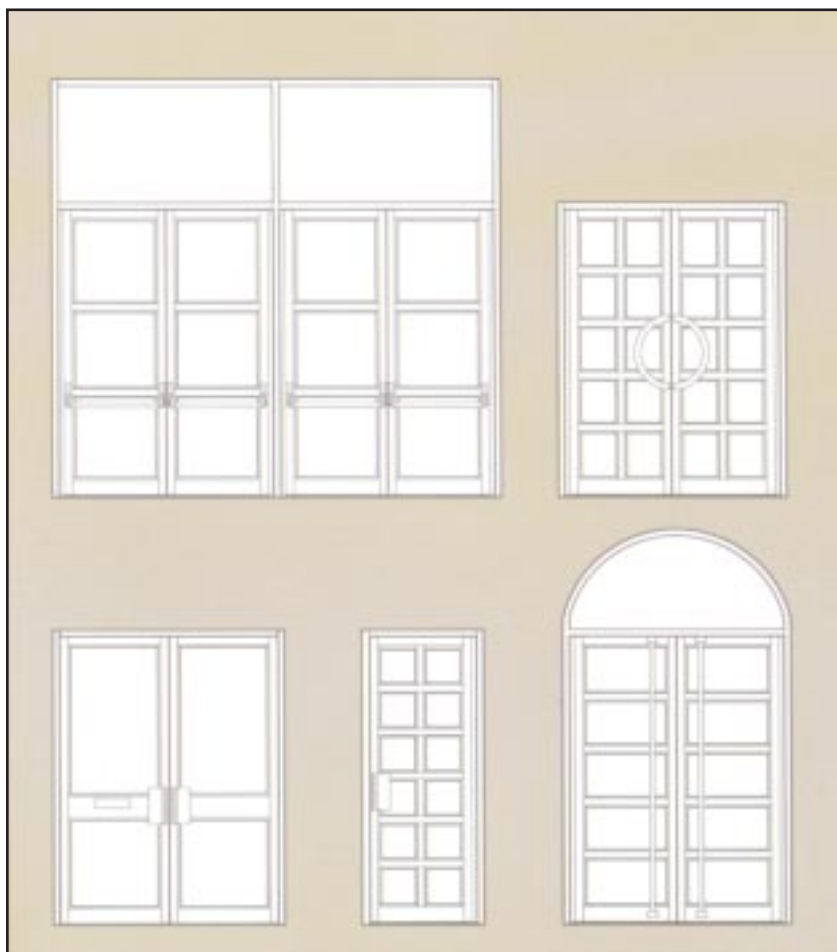
External glazing beads are mechanically fixed to rebates for security. Glass is set dry against glazing tape or EPDM gasket and retained by a wide range of clip-in beads which permit glazing thicknesses from 4mm to 40mm.

PERFORMANCE

COMAR 7 Doors conform to recognised industry standards adopted by trade associations, e.g. The Council for Aluminium in Building, and conform to the requirements of BS4873 : 1986, Specification for Aluminium Alloy Windows, where applicable.

COMAR 7 OFFERS A VARIETY OF ELEGANT STRONG ALUMINIUM DOOR TYPES AND STYLES

TYPES AND STYLES OF COMAR SWING DOORS



DOOR BEAMS

COMAR CS50 Automatic Door Beams are single aluminium extrusions which offer maximum strength whilst enhancing the aesthetic appearance of sliding or swing doors. They eliminate the need for aluminium panels and timber packing, reducing fabrication time, and are designed to accept virtually all types of bolt-on operating gear.

Above and below the beam, clip-fit profiles offer single or double glazing, or box capping.

200% WEATHERTIGHT

In a recent test to BS6375 at the TEL Cladding Technology Centre, a sample of a COMAR 7 'Tempest' swing door passed the standard 600 Pascal pressure differential/water penetration tests with flying colours.

On our request, the pressure differentials were increased. Even at a massive 1200 Pascals (twice the pass level) the report stated 'no leakage'.



Testing the COMAR Tempest Door at TEL Cladding Technology Centre.



TEL: 020 8685 9685

COMAR 7 SWING DOORS



■ IT'S ALL IN THE TECHNICAL MANUAL...



The Comar Technical Manual is packed full of information on all Comar Architectural Aluminium Systems, including: specifications, profile broadsheets, composites, framing limitations and glazing options. Call for yours today.

■ TECHNICAL BACK-UP

An experienced Sales Team covers the UK while the Technical Department offers an unsurpassed design and installation advice service to designers, specifiers and fabricators. Simply ring 020 8685 9685.

■ FOR MORE INFORMATION

To find out more about COMAR 7 or any of Comar's other architectural aluminium systems, or to obtain your personal copy of the COMAR TECHNICAL MANUAL, call Madeline Whitehead on 020 8685 9685 or fax on 020 8646 5096.

Comar projects are carried out using approved fabricators throughout the UK, under the supervision of Comar Architectural Aluminium Systems, if required.

AUTHORISED DEALER:



Comar Architectural Aluminium Systems
 The Parkside Group Ltd., Unit 5 - The Willow Centre,
 17 Willow Lane, Mitcham, Surrey CR4 4NX
 Telephone: 020 8685 9685 Fax No: 020 8646 5096
 Email: Sales@Parksidegrp.co.uk

The Parkside Group reserves the right to alter products or specifications without prior notification.