

COMAR 6

COMAR 6



**CURTAIN WALL SYSTEM
 LADDER FRAME
 CONSTRUCTION**

This feature-packed system offers one of the most versatile approaches to insulated low/medium rise curtain wall claddings and provides a proven solution for glazed roof areas.



The Parkside Group Ltd
 Unit 5 - The Willow Centre,
 17 Willow Lane, Mitcham,
 Surrey CR4 4NX

Telephone: 020 8685 9685
 Fax No: 020 8646 5096
 Email: Sales@Parksidegrp.co.uk

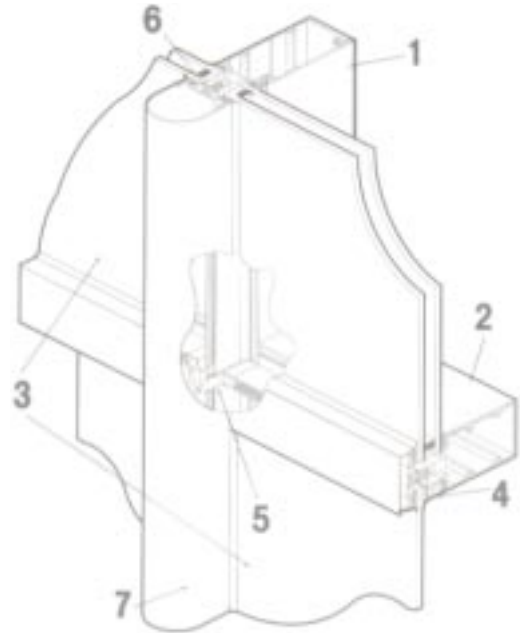
COMAR 6

LOW / MEDIUM RISE CURTAIN WALLING SYSTEM

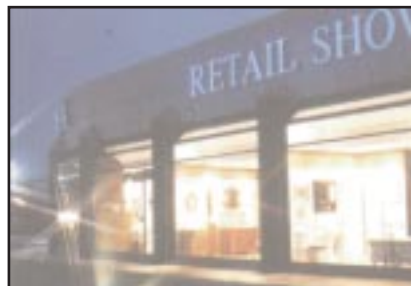


- The knowledge gained in more than two decades of aluminium framework design, plus the latest technology, introduced in a programme of continuous research and development, are blended in this innovative and highly versatile curtain walling system.

Suitable for low to medium rise new build or refurbishment projects the system offers the architect and specifier wide flexibility of design appearance and construction.



- 1 COMAR mullion and plate construction allows for off-site framing fabrication.
- 2 Common mullion and transom construction is possible to minimise stock holding; many options are available.
- 3 Glazing options.
- 4 Single glaze spacer head.
- 5 Rebate closer and transom support, for pressure equalised drained glazing.
- 6 Thermal barrier.
- 7 Cover bead variations, with 50mm face width.



TEL: 020 8685 9685

- Low to medium rise applications.
- For new build or refurbishment projects.
- Single or double glazing option.
- Framework insulated by thermal barrier in the pressure plate glazing.
- Selection of face caps achieves fifteen facade options.
- Suitable for inclined facades and roof glazing applications.
- Corner mullions adjust for returns of 90° to 135°.
- Low inventory system for simplified construction.
- Integrates with all other COMAR Systems.

■ **MATERIALS**

Extruded profiles are to BS EN 515, EN 755 and EN 573. Glazing gaskets are extruded from EPDM.

■ **FINISHES**

Aluminium profiles are finished in the following specifications: Silver, bronze and black anodising to BS1615 or BS3987. Liquid organic coating to BS4842. Polyester powder coating to BS6496.

■ **COMAR 6 OFFERS IMAGINATIVE DESIGN SOLUTIONS IN CURTAIN WALLING AND GLAZED ROOF PROJECTS**

■ **CONSTRUCTION**

The system is constructed in frame format to minimise loose components. Horizontals are jointed to verticals with stainless steel self-tapping screws driven into integral screw receptacles.

■ **GLAZING**

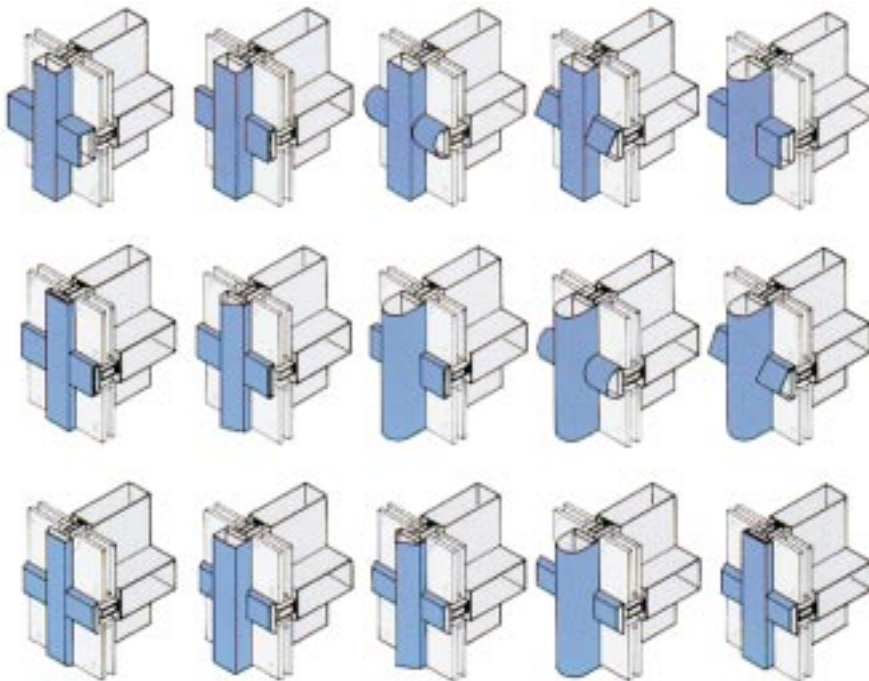
Vision glass or spandril panels from 6mm to 32mm thick, set dry against EPDM rubber gaskets in drained and ventilated rebates, to BS6262.

■ **PERFORMANCE**

COMAR 6 Curtain Walling System conforms to recognised industry standards adopted by trade associations, i.e: The Council for Aluminium in Building. The system also conforms to many of the requirements for aluminium windows specifications BS4873.

FACADE FEATURES

Six face cap beads provide fifteen facade options.



TEL: 020 8685 9685

COMAR 6

LOW / MEDIUM RISE CURTAIN WALLING SYSTEM



■ IT'S ALL IN THE TECHNICAL MANUAL...



The Comar Technical Manual is packed full of information on all Comar Architectural Aluminium Systems, including: specifications, profile broadsheets, composites, framing limitations and glazing options. Call for yours today.

■ TECHNICAL BACK-UP

An experienced Sales Team covers the UK while the Technical Department offers an unsurpassed design and installation advice service to designers, specifiers and fabricators. Simply ring 020 8685 9685.

■ FOR MORE INFORMATION

To find out more about COMAR 6 or any of Comar's other architectural aluminium systems, or to obtain your personal copy of the COMAR TECHNICAL MANUAL, call Madeline Whitehead on 020 8685 9685 or fax on 020 8646 5096.

Comar projects are carried out using approved fabricators throughout the UK, under the supervision of Comar Architectural Aluminium Systems, if required.

AUTHORISED DEALER:



Comar Architectural Aluminium Systems
The Parkside Group Ltd., Unit 5 - The Willow Centre,
17 Willow Lane, Mitcham, Surrey CR4 4NX
Telephone: 020 8685 9685 Fax No: 020 8646 5096
Email: Sales@Parksidegrp.co.uk

The Parkside Group reserves the right to alter products or specifications without prior notification.